

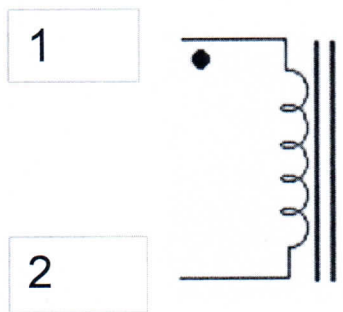
DANTRAF0 No.:	DT 33149-9	Rev.:	A3	Customer:	Norautron
Product type:	VHF CHOKE	Customer drawing no.:	MBD632		
Product shape:	T6	UL Elec. Insul. Sys.:			

1.Revision:

Rev.	Modification	Prepared by	Date
A0	primary version	Susy Li	9/12/2024
A1	Add material list and update inductance	Susy Li	9/14/2024
A2	First sample: Update mechanical characteristics	Susy Li	11/7/2025
A3	Update material list and mechanical characteristics	Susy Li	12/19/2025



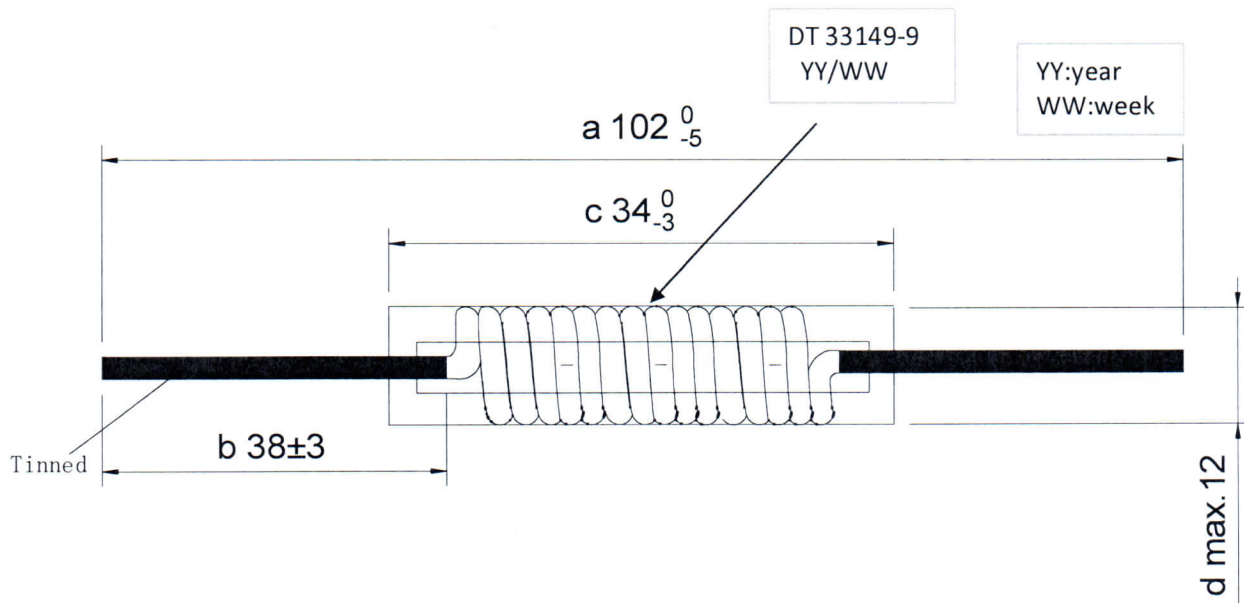
2. Schematic:



DANTRAF No.:	DT 33149-9	Rev.:	A3	Customer:	Noratron
Product type:	VHF CHOKE	Customer drawing no.:			MBD632
Product shape:	T6	UL Elec. Insul. Sys.:			

3. Mechanical characteristics:

Unit: mm



4. Electrical characteristics:

1. Inductance 1 - 2 5.4uH±10%,@25°C,1MHz,1V

5. Material list:

1. Core	Z6x28 DN50B	DMEGC
2. Wire	Φ1.32mm,2L,unsolderable	Any UL R/C
3. Tape	CB-101	Changyuan
4. Glue	E-500	EATTO

Prepared by: Susy Li

Approved by: Tracy Li


Date: 12/19/2025

Date: 2025.12.19

Note: This document contains valuable confidential information of Dantrafo Electronics (Chuzhou) Co., Ltd. It is protected by copyright law as an unpublished work. Dantrafo reserves all patent, copyright, trade secret, and other proprietary rights to it. The information in this document may not be used, reproduced, or transferred to other documents or to be used for manufacturing purposes or disclosed to other for any purpose except as specifically authorized by Dantrafo in writing and subject to applicable conditions.

RoHS Declaration of Conformity

RoHS 符合性声明

Conformity We hereby declare that to the best of our knowledge our products comply with the "Directive
RoHS 2011/65/EU&(EU)2015/863 of the European Parliament and of the Council of 8 June 2011 on the
RoHS 符合性 restriction of the use of certain hazardous substances in electrical and electronic equipment",
 including all amendments to the RoHS Directive. With four items added to the rohs2.0 standard,
 the lastest restriction adds up to 10 .From July 22, 2019, all electronic and electrical products
 exported to Europe (except medical and monitoring equipment) need to meet the restriction
 requirements, and from July 22, 2021, medical equipment (including in vitro medical equipment)
 and monitoring equipment (including industrial monitoring equipment) will also be included in the
 scope of the control.我们基于所知，在此声明，我们提供的产品符合欧洲指令
 2011/65/EU&(EU)2015/863 和 2011 年 6 月 8 日理事会关于在使用某些有害物质于电子和电
 气设备上的限制”，包括所有修改过的 RoHS 指令。RoHS 2.0 新增 4 项，最新指令管控总共
 10 项，从 2019 年 7 月 22 日开始实施所有输欧电子电器产品(除医疗和监控设备)均需满足
 该限制要求，2021 年 7 月 22 日起，医疗设备(包括体外医疗设备)和监控设备(包括工业监控
 设备)也将纳入该管控范围。

This means that any *homogenous material** of the product does not contain any of the ten
 restricted substances in concentration values by weight above
 这意味着产品均质材料中所含的十种限用物质含量浓度（按重量）不超过如下标准：

Lead: 铅	0,1 %	Hexavalent chromium 六价铬	0,1 %
Mercury: 汞	0,1 %	Polybrominated biphenyls (PBB) 多溴化联苯	0,1 %
Cadmium: 镉	0,01 %	Polybrominated diphenyl ethers (PBDE): 多溴化二苯醚	0,1 %
DIBP: 邻苯二甲酸二异丁酯	0,1 %	DBP: 邻苯二甲酸二丁酯	0,1 %
DEHP: 邻苯二甲酸(2-乙基)己酯	0,1 %	BBP: 邻苯二甲酸丁苯酯	0,1 %

*: "homogeneous material" means one material of uniform composition throughout or a material,
 consisting of a combination of materials, that cannot be disjointed or separated into different
 materials by mechanical actions such as unscrewing, cutting, crushing, grinding and abrasive
 processes

“均质材料”是指统一成分的一种材料或一种材料，包含多种材料的组合，组合的材料不能脱
 节或通过机械作用如旋开，切割，粉碎，磨削和研磨工艺而分离成不同的材料。

Customer	Customer P/N	Supplier P/N
Norautron		DT 33149-9

Date / Signature

日期/签名



Prepared Date: 2024.10.15 F628 Rev.0



Dantrafo Electronics (Chuzhou) Co., Ltd.
丹特拉夫电子（滁州）有限公司
No. 23 Factory Building
No. 900 Zhongxin Avenue
Suchu High-Tech Industria Park
Chuzhou, Anhui, China
安徽省滁州市中新苏滁高新技术产业开发区中新大道 900 号 23 号楼

REACH Declaration of Conformity REACH 符合性声明

Conformiy
REACH
REACH
符合性

We hereby declare that to the best of our knowledge our products comply with the "REGULATION (EC) No 1907/2006 OF THE EUROPEAN PARLIAMENT AND OF THE COUNCIL of 18 December 2006 concerning the Registration, Evaluation, Authorization and Restriction of Chemicals (REACH)", including all amendments to the REACH Regulation. On January 23, 2024, ECHA released the thirtieth batch of 5 SVHC lists, and on June 27, 2024, 1 new item was added, for a total of 241 items. 我们基于所知，在此声明，公司的产品符合“欧盟指令 No 1907/2006 和 2006 年 12 月 18 日理事会关于化学品的注册，评估，授权和限制（REACH）”，包括所有修改的 REACH 法规。2024 年 01 月 23 日，ECHA 发布第三十批 5 项 SVHC 清单，于 2024 年 06 月 27 日，新增 1 项，共计 241 项。

This means any yearly usage more than one ton of Substances Very High Concern (SVHC) content in the product cannot be more than 0.1% of the total weight of the products.

这意味着任何一种年使用量超过 1 吨的高度关注物质（SVHC），在产品中的含量不能超过总产品总重量的 0.1%。

You will be informed if Dantrafo Chuzhou receives information that any materials do not conform to this regulation.

如果丹特拉夫滁州收到任何材料不符合此法规的信息，将会通知到您。

Customer	Customer P/N	Supplier P/N
Norautron		DT 33149-g

Date /
Signature
日期/签
名



Prepared Date: 2024.10.15 F629 Rev.0